



PRIVILEGE LLC COMPANY PROFILE

Engineering Products

LET US TELL YOU WHO WE ARE & WHAT WE DO

Privilege LLC was formed to provide the region with unique high quality products in the field of MEP & Infrastructure Works.

In Privilege LLC, Customer Satisfaction is our Motto.

Thanks to our Global Network, we are able to deliver consumers with the best suitable products from High-End approved & certified manufacturers.



We believe providing best Quality Products, Services & Customer satisfaction, which provides more value to the customers in the solid bastion of business survival.

SEEKING INNOVATION IN OUR FIELD

We examine the market and work hard to offer our customers products that really meet their expectations.

PRIVILEGE LLC

OUR VALUES

Our Values guide our behaviors day-to-day, informing how we act, the decisions we make, and how we work with each other, our clients, partners that we purchase from, and all our stakeholders.

Our values are:

- **Integrity:** We do what is right.
- **Excellence:** We never stop learning and improving.
- **Courage:** We think and act boldly.
- **Together:** We respect each other and draw strength from our differences.
- **For Better:** We do what matters.



To be a diversified business leader committed to sustain excellent performance in every market we serve, innovative in delivering quality products, services and solutions, committed that all of our stakeholders benefit from continued growth and success.

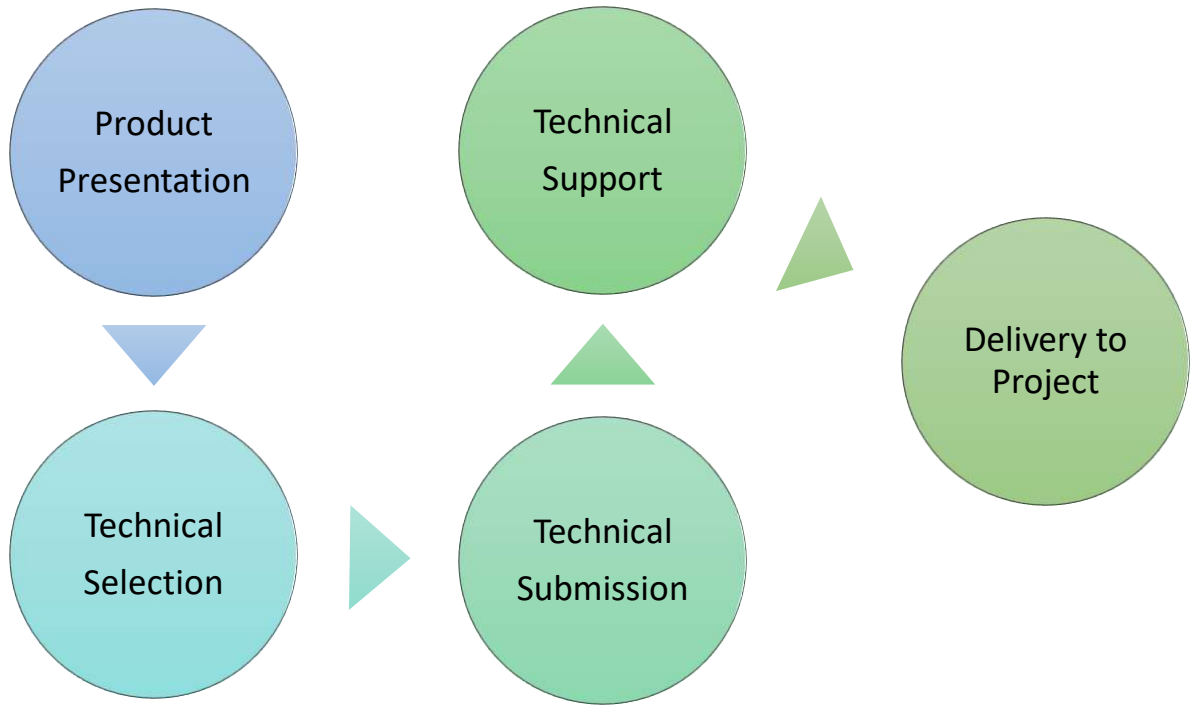


To maximize stakeholders' value through consistent business growth and forge ahead of competition by focusing on value added business sectors through strategic partnerships with world renowned organizations and to sustain leadership.



Our key mission is to select the suitable product complying with Project's specifications at the best rate.
Serving the market with our innovative, Integral & accumilative Knowledge.

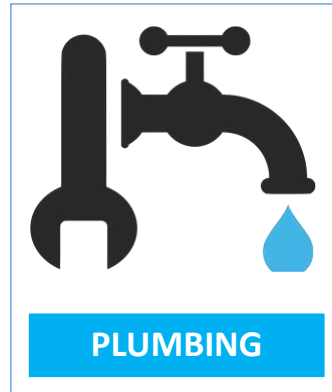
PRIVILEGE LLC OUR SALES PROCESS



PRIVILEGE LLC

OUR PRODUCTS SEGMENTS

Our scope of business is supplying Engineering products in the field of HVAC, Plumbing Fire-Fighting & Electrical Works.



PIPELINE ACCESSORIES

- Sealing Products.
- Pressure Gauges.
- Thermometers.
- Rigid Struts.
- Hangers & Supports

PIPES & FITTINGS

- ERW Pipes.
- L or S SAW Pipes.
- Black Steel Fittings.
- FBE or Epoxy Coated.

DUCTS

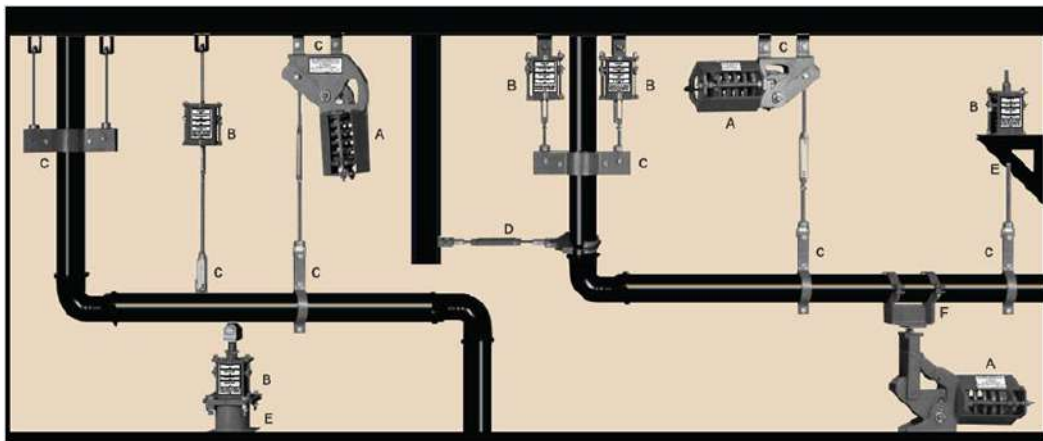
- Flexible Ducts.
- Flexible Duct Connector.
- Duct Accessories.



PIPE HANGERS & SUPPORT INDIA

A Global Solution to Spring Hangers & Supports

PHS is the leading manufacturer of spring hangers, supports & accessories. Over the past 36 years, they have supplied to major power plants, refineries, nuclear installations & process industries in India & several International projects.



A. CONSTANT HANGERS & SUPPORTS

B. VARIABLE HANGERS & SUPPORTS

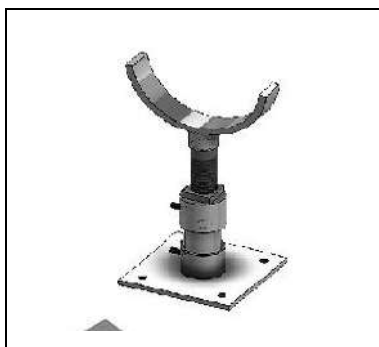
C. PIPE CLAMPS

D. RIGID STRUT

E. STRUCTURALS

F. PIPE BASE WITH SLIDE BEARINGS

- PHS Products are:



Constant Supports



Variable Supports



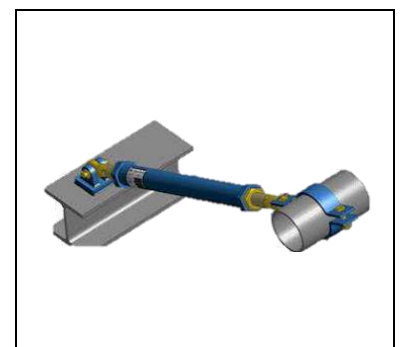
Rigid Struts



Slide Bearings



Steel Rollers



Hydraulic Snubbers

PSI PRODUCTS GMBH GERMANY

PSI Products are: Sealing technology, Wall sleeves and Insulators & casing end seals.

Our markets are: Oil & Gas industry, Water industry, Wastewater, Chemical industry, Petrochemical industry, Plant- construction, Building construction, Civil engineering and pipe laying, Energy and communication, Specialized trade, HVAC...etc.

- PSI Markets are:



Building
construction



Civil
engineering



Water



HVAC



Energy



Oil



Gas



District
heating

- PSI Products are:



Link-Seal®



Kompakt Seal



Wall Collar



Casing Spacers



Casing End Seals

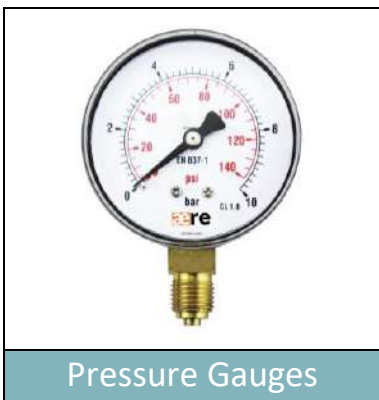


Dynamic Seal

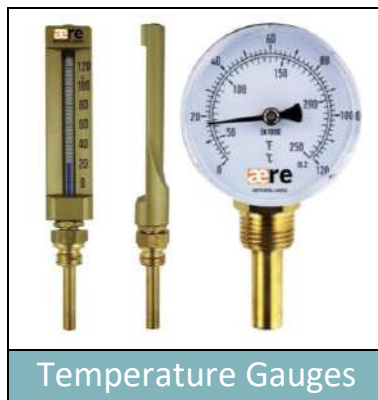
AERE BV NETHERLANDS

Aere® is a leading supplier of Pressure & Thermometer Gauges and HVAC Accessories.

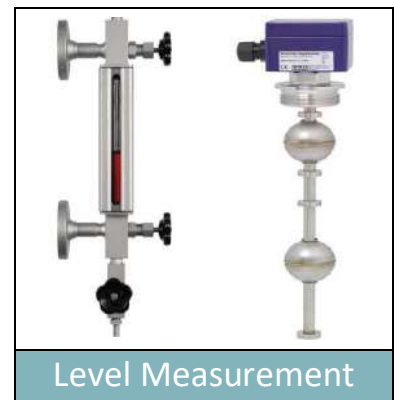
We are committed to International Standards. Our products are produced in one of the most technically advanced Pressure & Temperature Calibration Laboratories and is continually investing in this area to ensure our products meets the very highest of quality standards.



Pressure Gauges



Temperature Gauges



Level Measurement



Pressure Gauge Syphon



Pressure Gauge Adaptor

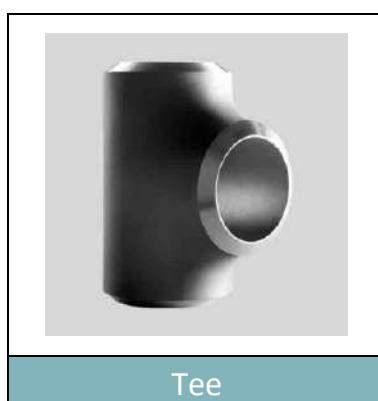
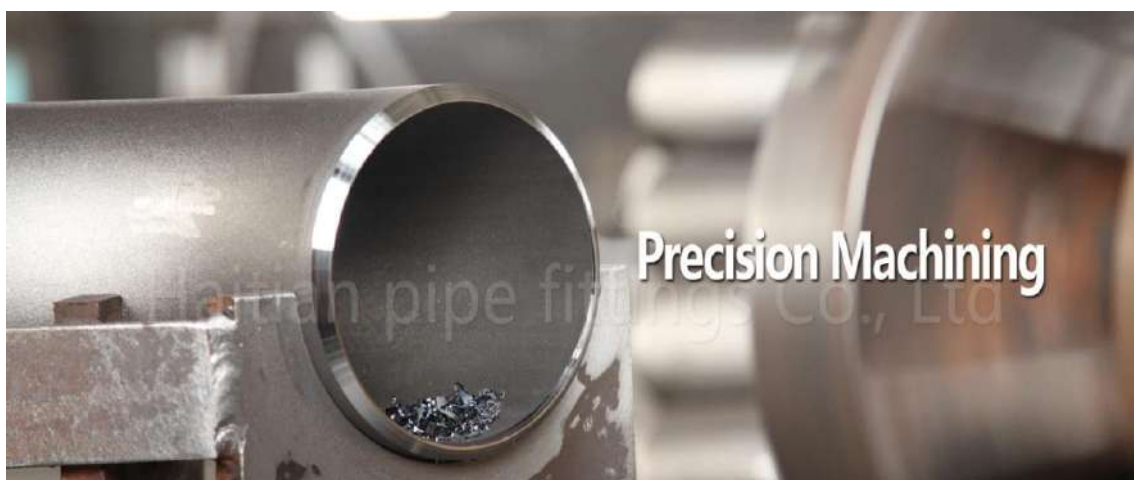


Pressure Gauge Cock

PIPES AND FITTINGS CHINA

We specialize in the manufacture of a wide variety of industrial pipe fittings including elbows, bends, tees, crosses, reducers, caps and more. All products adopted American standard ASME (ANSI), European standard EN, German standard DIN, Japanese standard (JIS) and so on. Our continuing commitment to the production of quality products has made us internationally recognized in the following industries: power generation, petroleum, natural gas, chemical, shipbuilding, heating, paper making, metallurgy, among others. Backed by our skilled and qualified employees, HPCO are able to provide an optimal solution to serve you needs.

We have also achieved PED、AD 2000-Merkblatt W0、CRN 、ABS、DNV GL、BV certificates、PDO、SWCC、NIOC/NISOC、PETROBRAS approved.



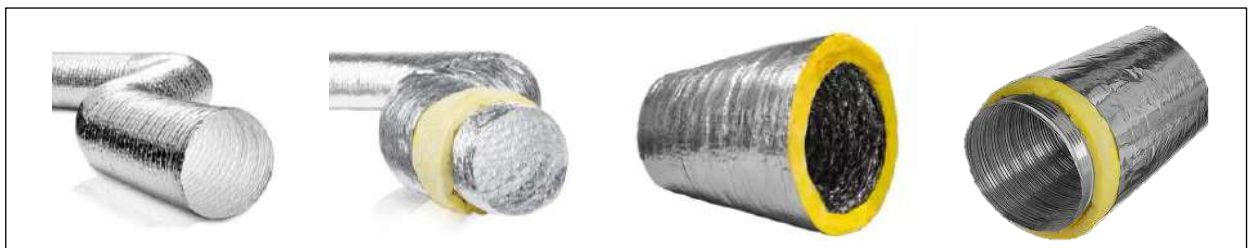
PRIVILEGE LLC

UAE & INDIA

AV Industrial Products Ltd was founded over 30 years ago, with its 25000sq/ft head office based in Leicester (central England). The company specialises in the manufacture and supply of Anti-Vibration Mountings and Rubber Engineering Components.

The company offers the most extensive range of standard industrial rubber products to the industrial sector and has secured its position as a market leader within the Vibration Control and Rubber Engineering industry, operating within the industrial manufacturing sector, including Construction, Power Generation, Marine, Agricultural, Industrial Vehicles, HVAC, and defence.

FLEXIBLE DUCTS



FLEXIBLE DUCT CONNECTOR



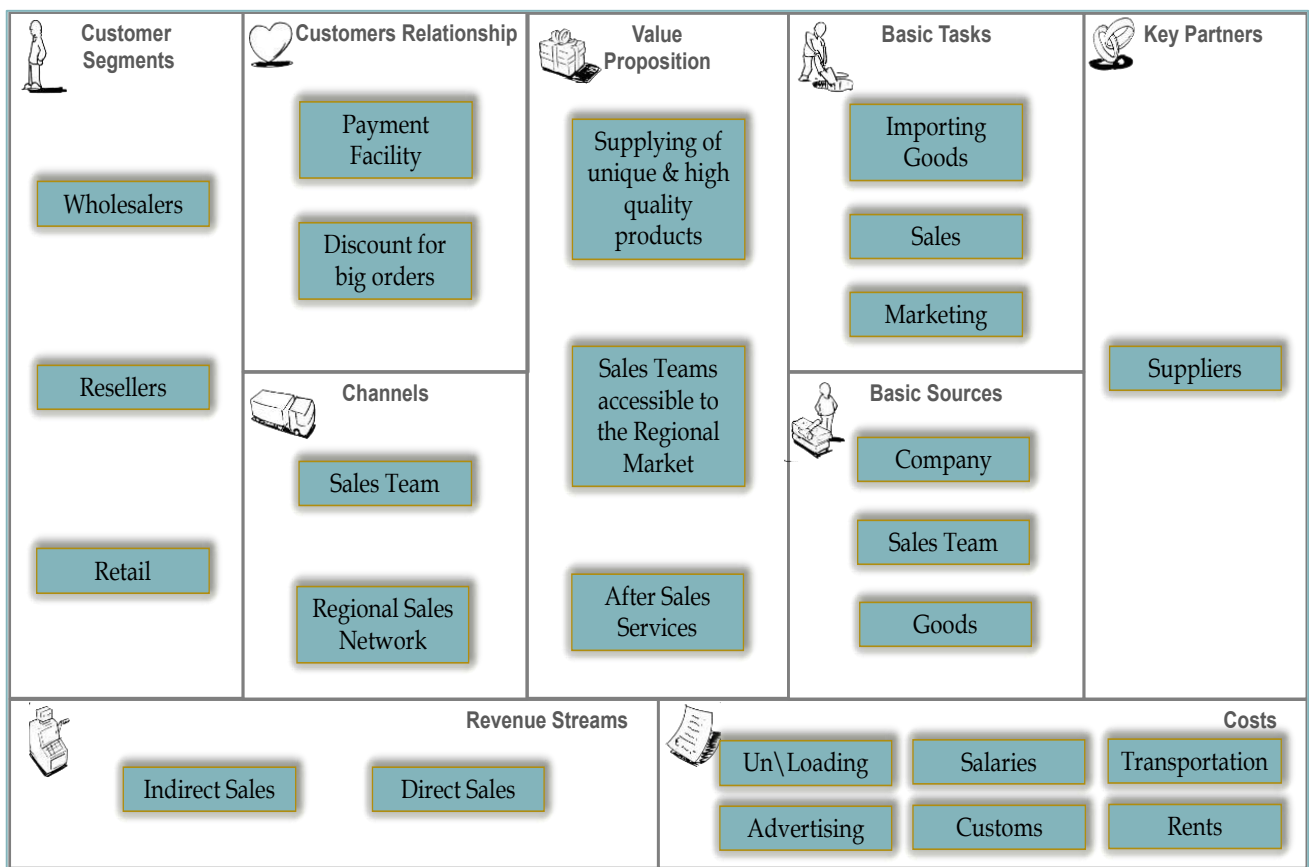
DUCT ACCESSORIES



PRIVILEGE LLC

OUR BUSINESS MODEL

Our business model refers to the company's plan for making Business. It identifies the products or services we plan to sell, its identified target market, and any anticipated expenses. Business models are important for both new and established businesses. They help developing companies attract investment, recruit talent, and motivate management and staff.



Our Company business has business models that allow us to fulfill client needs at a competitive price and a sustainable cost. Over time, we revise our business models from time to time to reflect changing business environments and market demands.

A significant advantage of a solid business model is that it can give us a competitive edge over other companies in our industry.

PRIVILEGE LLC CONTACT US



Privilege LLC for General Trading

Sharjah Media City, Sharjah, UAE
contact@privilege-llc.com
Trade License: 2221956.01